



EXTRACTOR

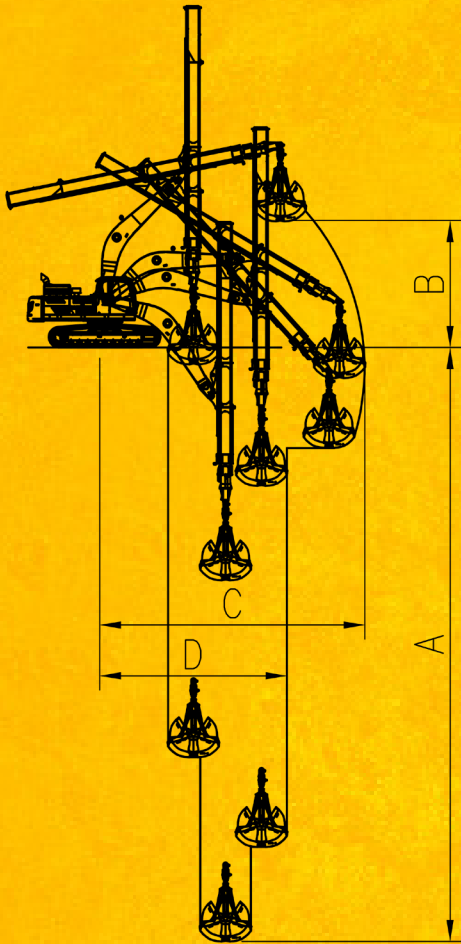
TELESCOPIC CLAMSHELL

ONE MAN-ONE MACHINE

The world's safest & technologically advanced telescopic clamshell delivering inexhaustible extraction rates others can only dream of. The EXTRACTOR telescopic Clamshell boosts productivity & exhibits the best performance in bulk load out of deep excavating work.



“we’ve taken excavation to a hole new depth”



BENEFITS OF THE BOSS EXTRACTOR SERIES

- Models to suit excavators ranging from 14t to 110t
- Reach depths in excess of 50m.
- Ultra-fast cycle times cut deep excavation bulk load out costs by 75% whilst increasing cycle times. ONE MAN-ONE MACHINE.
- World first "Back Fill Function" allows for the telescopic clamshell to safely lower aggregates, sand and other materials back into the excavation.
- Twin Axis camera system give 360 degree view of the bucket and loading area.
- Optional BOSS auto lockout system. This system prevents operators from extending the telearm to an angle outside the excavators safe working limits.
- Twin downward & upward ropes for optimum safety. Each rope is rated at 5 times the working load.
- High yield low maintenance section slide system.
- Automatic equalizer system.
- Access panels allow for quick easy access to all internal components.
- Centralised greasing point system
- Full Hardox construction for optimum strength and durability.
- Easily mount and dismount from the excavator.

BOSS ATTACHMENTS

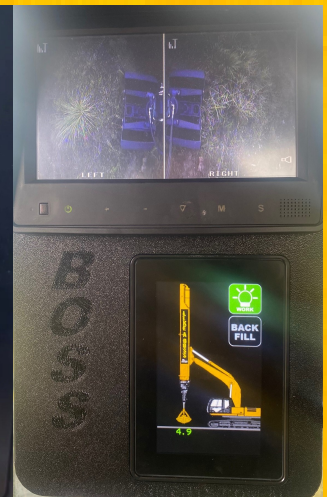
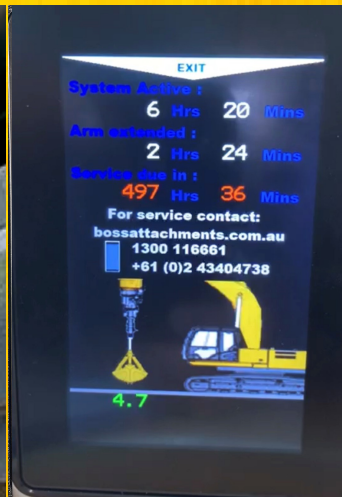
- 📍 2/113 Wisemans Ferry Road,
Somersby NSW 2250 AUSTRALIA
- ☎ 1300 116 661, INT +61 243 404783
- ✉ sales@bossattachments.com.au
- 🌐 www.bossattachments.com.au

BOSS-SHEARPOWER CORP
EXTRACTOR





| MODEL | Machine Weight | Digging Depth (metres) | Digging Depth (ft) | Clamshell Bucket Hyd. Rotation (Two-Cylinder), Tooth Type | | | | | | | | |
|--------|----------------|------------------------|--------------------|--|-------------------------|-----------------|------------------|-------------|-----------------|------|---------------------------------|----------------------------------|
| | | | | Clamshell Bucket | Clamshell Rotation Type | Capacity (cu.m) | Capacity (cu.ft) | Weight (kg) | Up & Down Speed | | Productivity m ³ /hr | Productivity ft ³ /hr |
| | | | | | | | | | Down | Up | | |
| BE2120 | 20-24 Ton | 21 | 68.9 | SCB20-900H | Hydraulic/Manual | 0.6 | 21.2 | 1,125 | 11.1 | 9.1 | 52.4 | 1850.5 |
| BE2324 | 24-27 Ton | 23 | 75.5 | SCB20-1300H | Hydraulic/Manual | 0.8 | 28.3 | 1,350 | 12.9 | 10.6 | 64.7 | 2284.9 |
| BE2527 | 27-32 Ton | 25 | 82 | SCB30-1100H | Hydraulic/Manual | 1 | 35.3 | 1,560 | 15.1 | 10.3 | 75.9 | 2680.4 |
| BE2732 | 32-38 Ton | 27 | 88.6 | SCB30-1100H | Hydraulic/Manual | 1 | 35.3 | 1,560 | 18 | 15 | 91.6 | 3234.8 |
| BE2534 | 34-45 Ton | 25 | 82 | SCB40-1500H | Hydraulic/Manual | 1.6 | 56.5 | 2,160 | 15.1 | 10.3 | 75.9 | 2680.4 |
| BE2734 | | 27 | 88.6 | SCB40-1400H | Hydraulic/Manual | 1.5 | 52.9 | 2,040 | 19.1 | 15.9 | 88.4 | 3121.8 |
| BE3034 | | 30 | 98.4 | SCB40-1300H | Hydraulic/Manual | 1.4 | 49.4 | 1,920 | 19.1 | 15.9 | 88.4 | 3121.8 |
| BE3045 | 45-50 Ton | 30 | 98.4 | SCB50-1200H | Hydraulic/Manual | 1.7 | 60 | 2,280 | 15 | 12.5 | 123.6 | 4364.9 |
| BE3545 | | 35 | 114.8 | HCB40-13M | Hydraulic/Manual | 1.3 | 45.9 | 1,830 | 22 | 17 | 76.7 | 2708.6 |
| BE4045 | | 40 | 131.2 | HCB40-13M | Manual | 1.4 | 49.4 | 1,920 | 22.7 | 22.7 | 74.8 | |



**WORK SMARTER
NOT HARDER**





1300 116 661

BOSSATTACHMENTS.COM.AU