

BOSS ROTARY EXCAVATOR SCREENING BUCKETS



BRS SERIES



**LEADING THE WAY
FOR OUTSTANDING
INNOVATION,
PERFORMANCE
AND VERSATILITY**

www.bossattachments.com.au

BOSS
ATTACHMENTS

BOSS ROTARY SCREENING BUCKETS

BRS SERIES



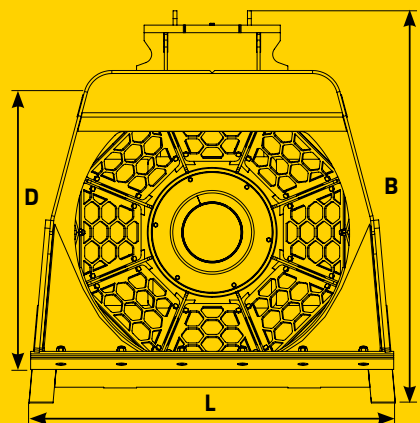
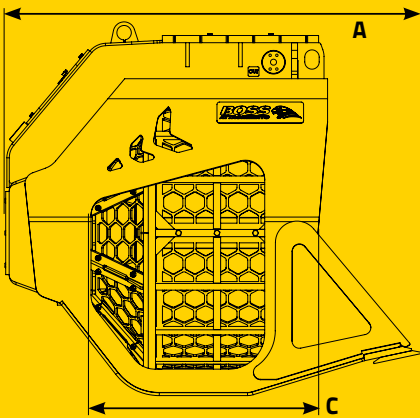
OUTSTANDING FEATURES

- ▶ Designed and manufactured in Italy exclusively for Boss Attachments.
- ▶ Double Plate Connection to attach to your Excavator
- ▶ Solid, durable and characterized by the now recognizable clean lines designed to resist wear and high stresses in the toughest working conditions.
- ▶ Constructed entirely from SSAB HARDOX and STRENX materials.
- ▶ Full Floating planetary drive systems.
- ▶ High Radial & Axial load resistant basket support system.
- ▶ Variable speed high torque motor with cushion stop.
- ▶ Unique and innovative conical shaped basket.
- ▶ Interchangeable modular Hardox wear plate or high carbon steel mesh screening panels.

PRODUCT SPECIFICATIONS

MODEL	BRS-80S 9	BRS-120S	BRS-200S	BRS-300S
▶ EXCAVATOR WEIGHT	≥8	≥13	≥22	≥32 L
▶ WEIGHT	860Kg	1,540Kg	2,440Kg	
▶ 2,550Kg Load Capacity (SAE)	0.7m ³	1.3m ³	2.1m ³	2.8m ³
▶ Basket Depth (C)	690mm	790mm	980mm	1,040mm
▶ Basket Width (D)	840mm	1,170mm	1,560mm	1,700mm
▶ Oil Flow (l/min)	50/70	40/80	40/80	40/80
▶ Pressure (bar)	100/120	200/220	200/220	200/220
▶ Speed (RPM)	18/24	18/35	18/35	18/35
▶ Screen Apertures (mm)	5-80	5-140	5-140	5-200
▶ BRS Depth (A)	1,480mm	1,950mm	2,250mm	2,600mm
▶ BRS Height (B)	1055mm	1460mm	1890mm	2000mm
▶ BRS Width (L)	900mm	1200mm	1600mm	1750mm

** Excavator weights are a guide only, please check your excavator specifications.



MULTIPLE USES

- ▶ Primary screening of scrap material, demolition material, filling material for excavations, and material resulting from the reclamation of rocky soil.
- ▶ Selection of pebbles in waterways.
- ▶ Cleaning of beaches.
- ▶ Perfect for soil reclamation processes.

Exclusively designed by and produced for BOSS ATTACHMENTS
SALES, SERVICE AND HIRE AUSTRALIA WIDE

PHONE 1300 116 661

sales@bossattachments.com.au www.bossattachments.com.au

