

We are Xcentric. Better. Faster. Stronger.



***High Performance***

in rock crushing and recycling of materials

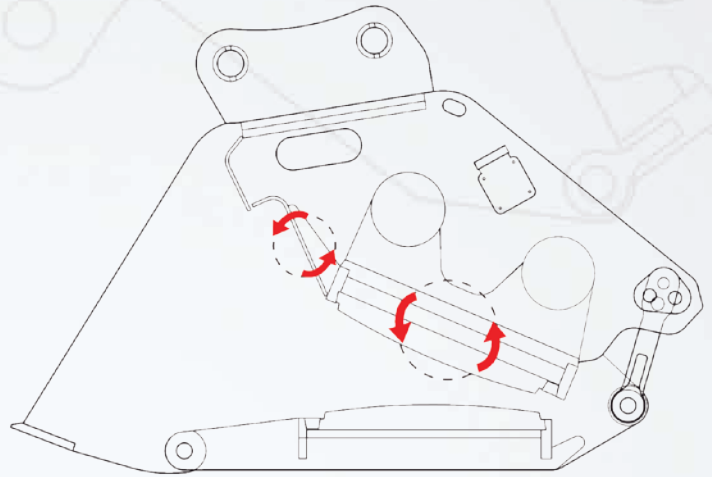
[www.xcentricripper.com](http://www.xcentricripper.com)

# High performance Crusher Bucket

A **new technology** has been developed for the manufacturing of the **Xcentric Crusher**, with which we have managed to achieve profitable production levels for crusher buckets.

The increase in production per hour, with long maintenance intervals (lubrication 200 hours), and a powerful heart that provides the necessary reliability to work with it constantly, makes out of the **Xcentric Crusher** a machine that will turn profitable your stone crushing or recycling materials processes.

This is possible thanks to the **Patent-Pending Technology** that applies a high inertia power train, circular jaw movement, as well as a new and easy antiestagnation plate, which prevents large shredding pieces from getting stuck in the bucket's mouth, not allowing them to enter the crushing jaws.



The granulometry adjustment is easy and intuitive, which enables a quick variation.

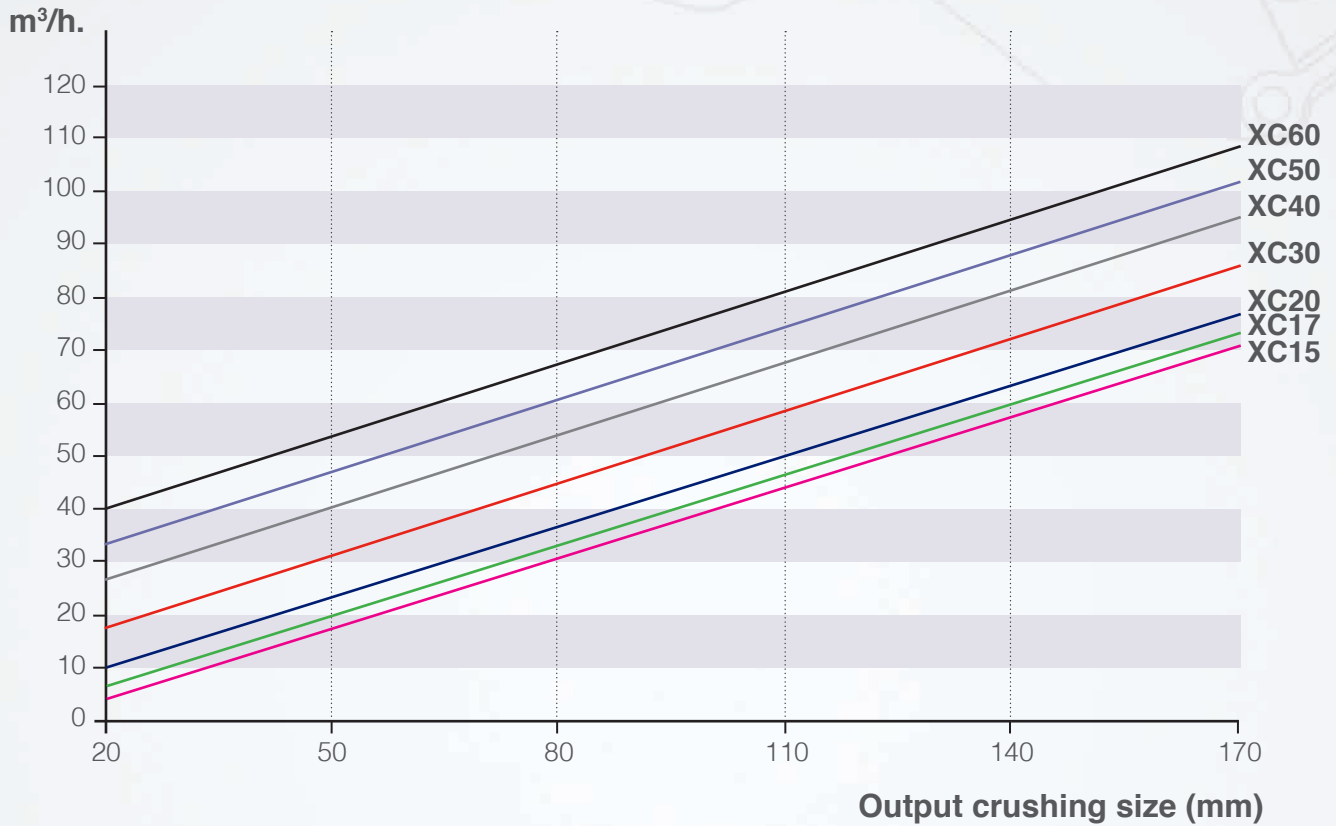
Watch video for granulometry adjustment on our YouTube channel: [www.youtube.com/xcentricripper](http://www.youtube.com/xcentricripper)

TECHNICAL SPECIFICATIONS		XC10	XC15	XC17	XC20
Excavator size	Tons		13 to 15	16 to 20	20 to 25
Weight (without top plate)	kg		2.000	2.000	2.500
Operating pressure	MPa		32	25	25
Operating Flow	L/min		100 - 120	140 - 160	160 - 180
Max. drain pressure	MPa		0,4	0,4	0,4
Hydraulic circuit			Double effect	Double effect	Double effect
Loading capacity	m <sup>3</sup>		0,5	0,5	0,8
External width	mm		930	930	930
Internal width	mm		730	730	730
Length	mm		2.050	2.050	2.465
Height	mm		1.200	1.200	1.300
Crushing size	mm		20 - 90	20 - 90	20 - 140
Jaw opening	mm		400	400	420

TECHNICAL SPECIFICATIONS		XC30	XC40	XC50	XC60
Excavator size	Tons	24 to 35	32 to 45	45 to 60	60 to 85
Weight (without top plate)	kg	3.750	5.300	6.250	8.500
Operating pressure	MPa	25	32	32	32
Operating Flow	L/min	180 - 200	300	340	380
Max. drain pressure	MPa	0,4	0,4	0,4	0,4
Hydraulic circuit		Double effect	Double effect	Double effect	Double effect
Loading capacity	m <sup>3</sup>	1	1,20	1,5	2
External width	mm	1.070	1.280	1.280	1.490
Internal width	mm	900	1.100	1.100	1.300
Length	mm	2.575	2.840	3.270	3.350
Height	mm	1.400	1.450	1.560	1.700
Crushing size	mm	20 - 140	20 - 140	20 - 210	20 - 210
Jaw opening	mm	420	465	500	500

# Productivity

Estimated productivity on dry limestone or high resistance concrete

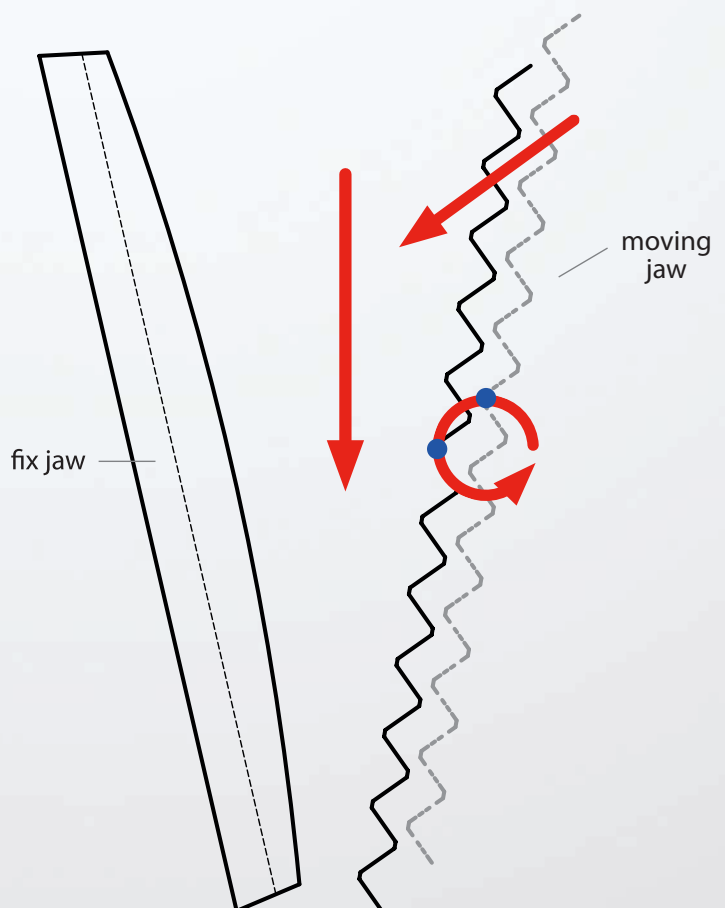


## Crushing jaws

Placing the **crushing jaws in a cross position**, together with its **circular motion**, gives the Xcentric Crusher the faculty of grinding wet material.

This way, what you get is the movable jaw to “bite” the wet material and together with the circular movement drag it to the outlet, without sticking to the walls of the bucket.

Watch video of XC crushing wet material on our YouTube channel:  
[www.youtube.com/xcentricripper](http://www.youtube.com/xcentricripper)





## Xcentric Crusher benefits

- ✓ Higher profitability than mobile crushers
- ✓ Minimal maintenance (greasing every 200 h.)
- ✓ High inertia Power train
- ✓ Circular jaw movement (pat. pending)
- ✓ Antiestagnation plate (pat. pending)
- ✓ Simple and fast granulometry adjustment system.
- ✓ Anti-skid Transmission
- ✓ Made in Hardox 400
- ✓ Cross Jaws: with the circular motion, allows crushing wet material
- ✓ Double Effect: can be unstuck without emptying it.
- ✓ Flywheels inside, protected by the housing.
- ✓ Lopsided loading mouth edges: prevent wear and fracture



**XCENTRIC RIPPER INTERNATIONAL, S.L.**

Landaluzea, 1. • 01015 Vitoria-Gasteiz (Spain) • Tel.: +34 945 290 555

[www.xcentricripper.com](http://www.xcentricripper.com)